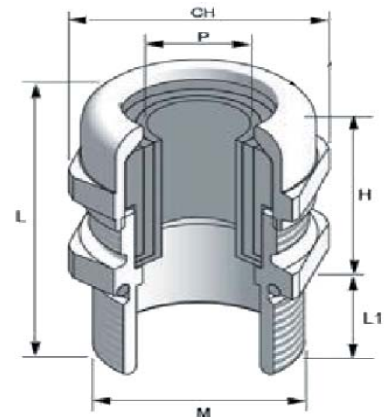


Technical Data:

Material:	Nickel-plated brass (standard) Stainless steel on request
gasket:	Silicone (Standard)
Thread:	Metric or NPT
Certificate:	IMQ 11 ATEX 038 X EAC approved
Type of protection:	II 2G Ex e IIC Gb II 2G Ex d IIC Gb II 2D Ex tb IIIC Db
max. protection:	IP66/68 (EN 60529)
Max. Ambient:	-60°C...+180°C



Description:

The cable glands Type BU are for the use with devices in type of protection Ex d, Ex e and Ex tb. They offers a wide clamping range and temperature range from -60°C up to +180°C. The cable glands are available in nickel plated brass and stainless steel with metric or NPT thread.

metric thread	Article number	size H / L1 in mm	CH body	CH head	Ø cable outside	NPT thread	Article number
					P		
M 16	104454	24 / 16	22	22	3 - 12	3/8"	104465
M 20	104403	24 / 16	22	22	3 - 12	1/2"	104212
M 20	104455	29 / 16	28	28	10 - 16	1/2"	104466
M 25	104404	24 / 16	28	28	10 - 18	3/4"	104467
M 25	104456	34 / 16	35	35	14 - 20	3/4"	104468
M 32	104457	27 / 16	35	35	14 - 24	1"	104213
M 32	104458	37 / 16	45	45	22 - 28	1"	104469
M 40	104459	27 / 18	45	45	22 - 32	1 1/4"	104470
M 40	104460	37 / 18	50	50	26 - 34	1 1/4"	104471
M 50	104461	28 / 18	55	50	26 - 35	1 1/2"	104472
M 50	104462	45 / 18	55	58	35 - 44	1 1/2"	104473
M 63	104463	35 / 18	68	58	35 - 45	2"	104474
M 63	104464	44 / 18	75	80	45 - 57	2"	104475

Other sizes on request