

## Technical Data

### Enclosure

Material: Fibre glass reinforced Polyester  
 RoHs: conform  
 Colour: black, RAL 9005  
 Dim. (LxWxH): **400x250x120 mm**  
 Weight: 3650 g (empty)  
 Protection: IP 65  
 Gasket: Temperature resistant silicone  
 Lid screws: stainless steel  
 Storage temperature: -50°C up to +80°C

### Junction Box

**Type: A21-E1-04012**  
 Type of protection: II 2G Ex e[ia] IIC T4/T6  
 II 2D Ex tD A21 IP65 T80°C  
 Certificate: TPS 07 ATEX 61951 1  
 Ambient temperature: -50°C up to +60°C  
 Standards in use: IEC EN 60079-0  
 IEC EN 60079-7  
 IEC EN 61241-0  
 IEC EN 61241-1  
 Documentation:  
 CE Declaration: A21-E1-C0001  
 Manual: A21-E1-B0001

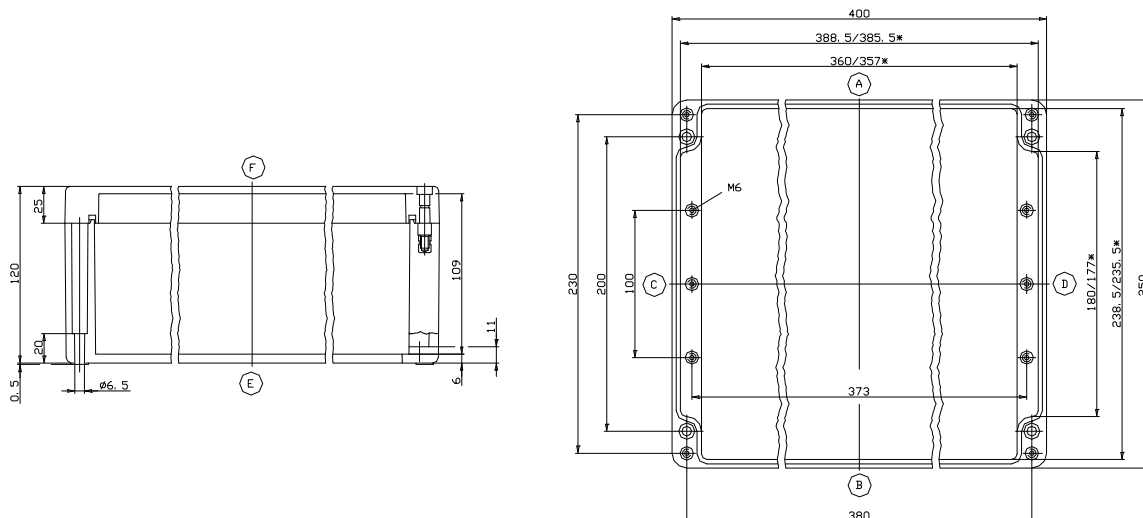
### Maximum number of threaded holes

	M16x1,5	M20x1,5	M25x1,5	M32x1,5	M40x1,5	M50x1,5	M63x1,5
face A/B	38	27	17	13	6	5	4
face C/D	14	10	8	4	3	2	2

### Maximum number of terminals

Cross section	2,5 mm <sup>2</sup>	4 mm <sup>2</sup>	6 mm <sup>2</sup>	10 mm <sup>2</sup>	16 mm <sup>2</sup>	35 mm <sup>2</sup>
Quantity	140	116	43	35	29	21

### Dimension Drawing



\* smaller dimension at the height of the mounting plate